



TRINITY GLASS INTERNATIONAL

33615 1st Way S, Federal Way, WA 98003

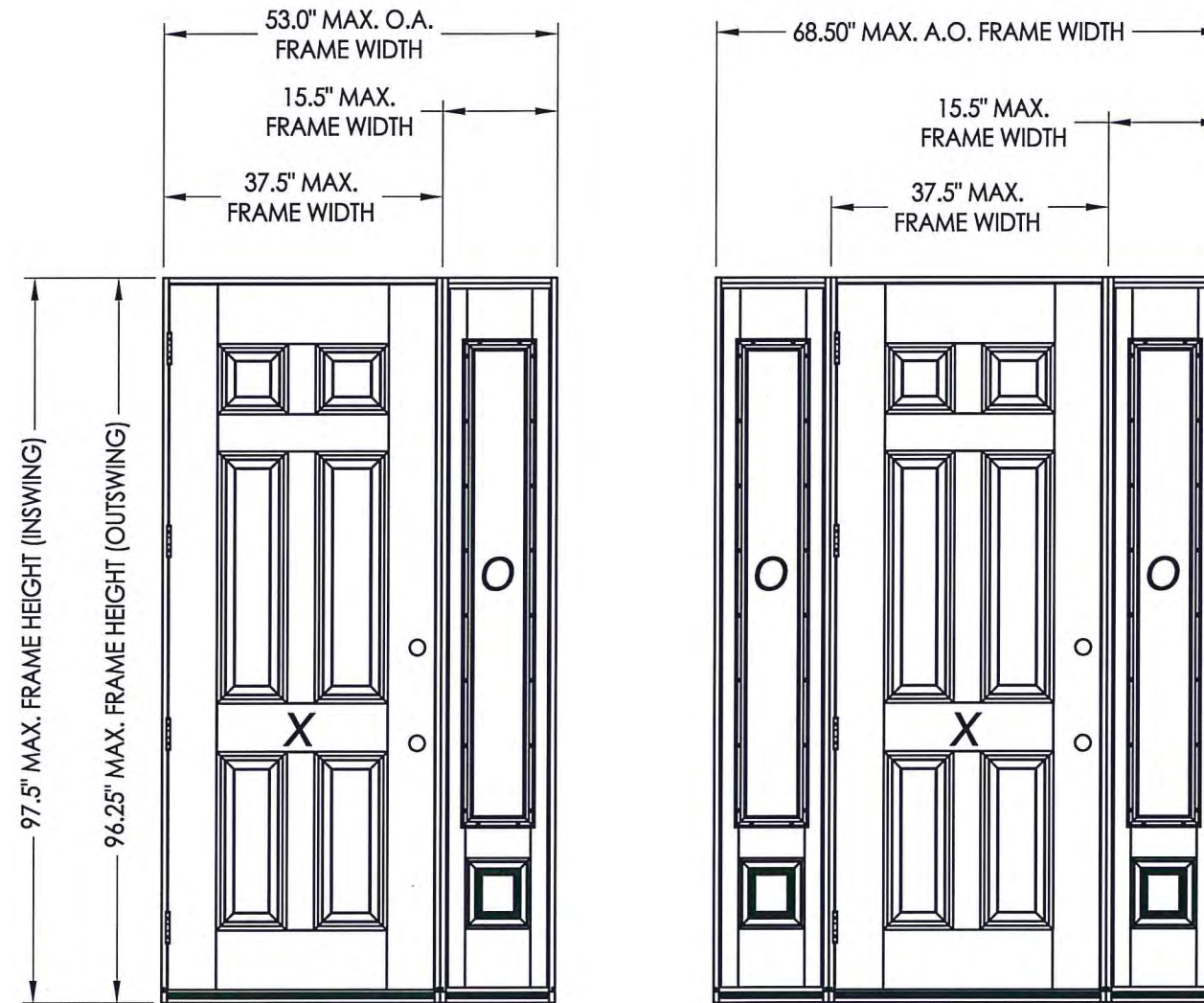
OPAQUE FIBERGLASS DOOR with SIDELITE(S) IN SWING / OUT SWING "NON-IMPACT"

GENERAL NOTES

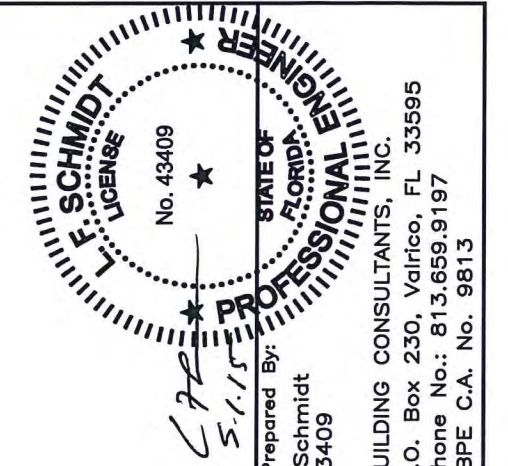
1. This product has been evaluated and is in compliance with the 5th Edition (2014) Florida Building Code (FBC) structural requirements including the "High Velocity Hurricane Zone" (HVHZ).
2. Product anchors shall be as listed and spaced as shown on details. Anchor embedment to base material shall be beyond wall dressing or stucco.
3. When used in the "HVHZ" this product is required to be protected with an impact resistant covering that complies with Section 1626 of the FBC.
4. When used in areas outside of the "HVHZ" requiring wind borne debris protection this product is required to be protected with an impact resistant covering that complies with Section 1609.1.2 of the FBC.
5. For 2x stud framing construction, anchoring of these units shall be the same as that shown for 2x buck masonry construction.
6. Site conditions that deviate from the details of this drawing require further engineering analysis by a licensed engineer or registered architect.
7. Outswing configuration using threshold item #25 meet water infiltration requirements for "HVHZ".
8. Inswing configurations and outswing configuration using threshold item #27 do not meet the water infiltration requirements for the "HVHZ" and shall be installed only in non-habitable areas or at habitable locations protected by an overhang or canopy such that the angle between the edge of canopy or overhang to sill is less than 45 degrees.

TABLE OF CONTENTS

| SHEET# | DESCRIPTION |
|--------|--|
| 1 | Typical elevations, design pressures & general notes |
| 2 | Door panel details |
| 3 | Sidelite panel details and glazing details |
| 4 | Elevations |
| 5 | Horizontal cross section |
| 6 | Vertical cross sections |
| 7 | Vertical cross sections |
| 8 | Buck anchoring |
| 9 | Frame anchoring |
| 10 | Components |
| 11 | Bill of materials |



| CONFIGURATION | MAX. FRAME DIMENSION | OVERALL D.L.O. DIMENSION | GLASS TYPE | DESIGN PRESSURE (PSF) | |
|---------------|----------------------|--------------------------|------------|-----------------------|----------|
| | | | | POSITIVE | NEGATIVE |
| OX / XO | 53.0" x 97.5" | 6.87" x 62.75" | G1 | + 47.0 | - 47.0 |
| OXO | 68.5" x 97.5" | 6.87" x 62.75" | G1 | + 47.0 | - 47.0 |



Documents Prepared By:
Lyndon F. Schmidt
P.E. No. 43409

BUILDING CONSULTANTS, INC.
P.O. Box 230, Valrico, FL 33595
Phone No.: 813.659.9197
FBPE C.A. No. 9813

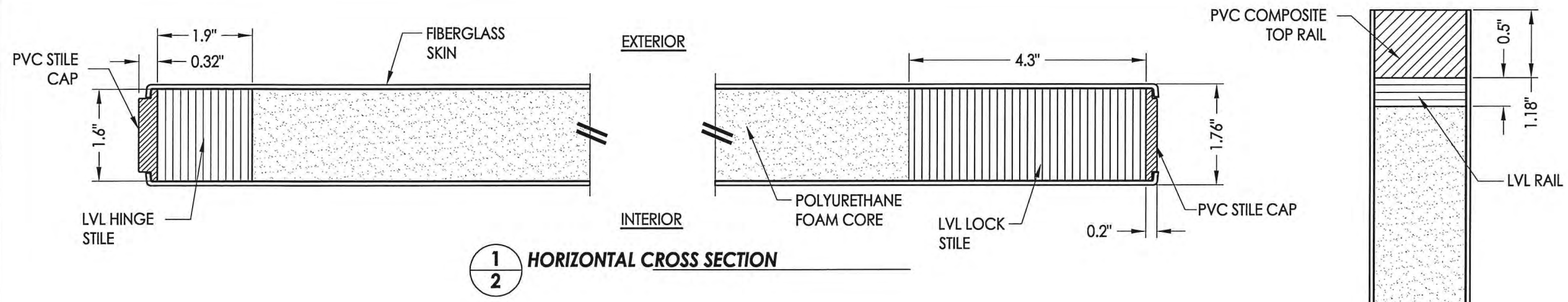
PRODUCT: TRINITY GLASS INT'L

PART OR ASSEMBLY:
TYPICAL ELEVATION, DESIGN PRESSURES & GENERAL NOTES

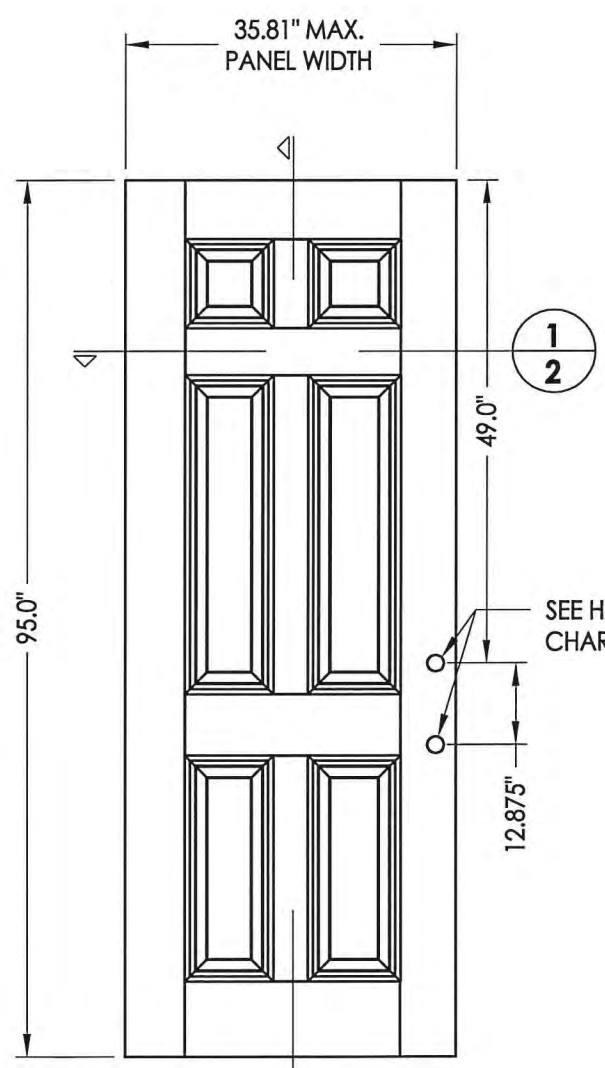
| NO. | DATE | REVISIONS |
|-----|----------|------------------------------|
| 1 | 03/02/15 | UPDATE TO 5TH ED. (2014) FBC |

DATE: 2/27/12
SCALE: N.T.S.
DWG. BY: JK
CHK. BY: LFS
DRAWING NO.: FL-15255.19
SHEET 1 OF 11

R:\Clients\Trinity PERMANENT\Florida Product Approvals\FL-15255\C - Drawings\FL-15255\FL-15255.17-24.dwg, 2.15

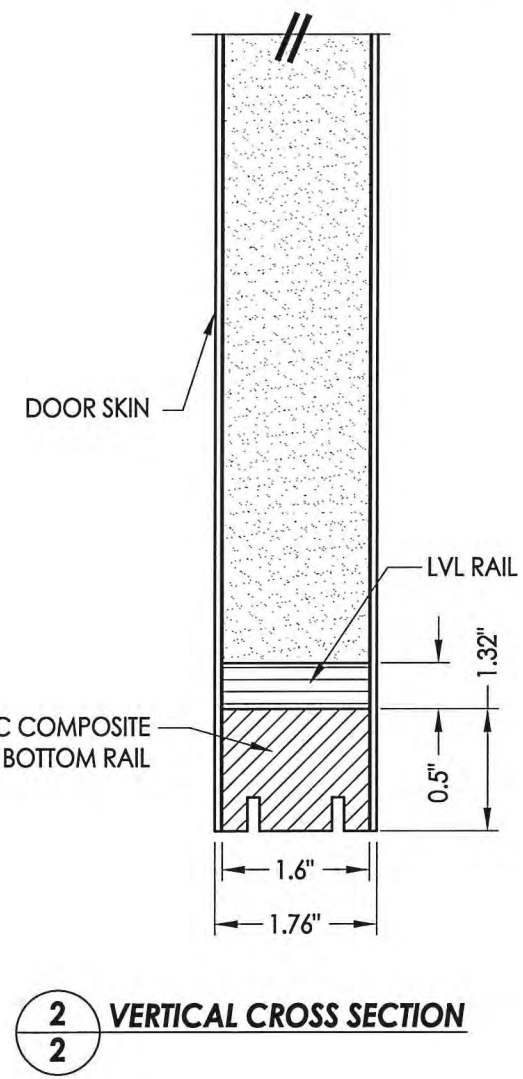
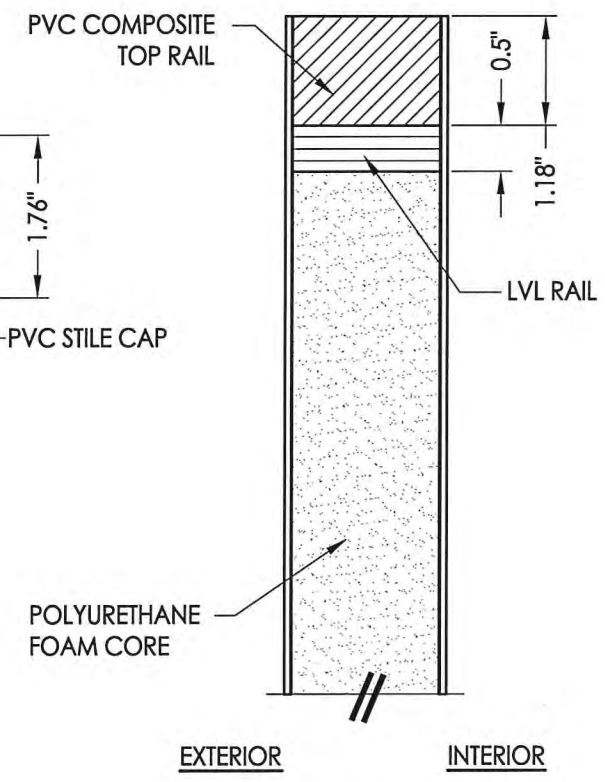


1
2 HORIZONTAL CROSS SECTION

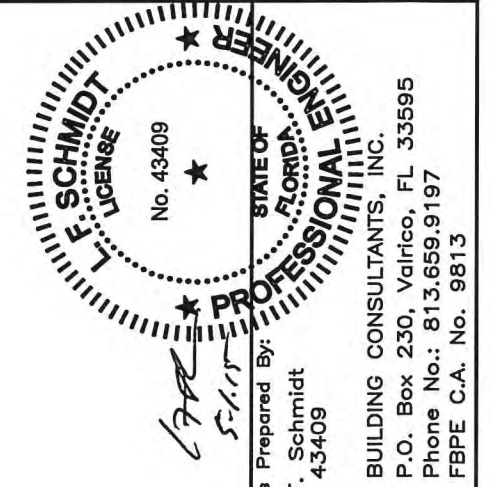


2
2
40 PREMIUM OPAQUE DOOR
"IMPACT"

| HARDWARE CHART | |
|----------------|--|
| MANUFACTURER | MODEL |
| KWIKSET | KNOB: SIGNATURE SERIES DEADBOLT: SIGNATURE SERIES (980) |



2
2 VERTICAL CROSS SECTION



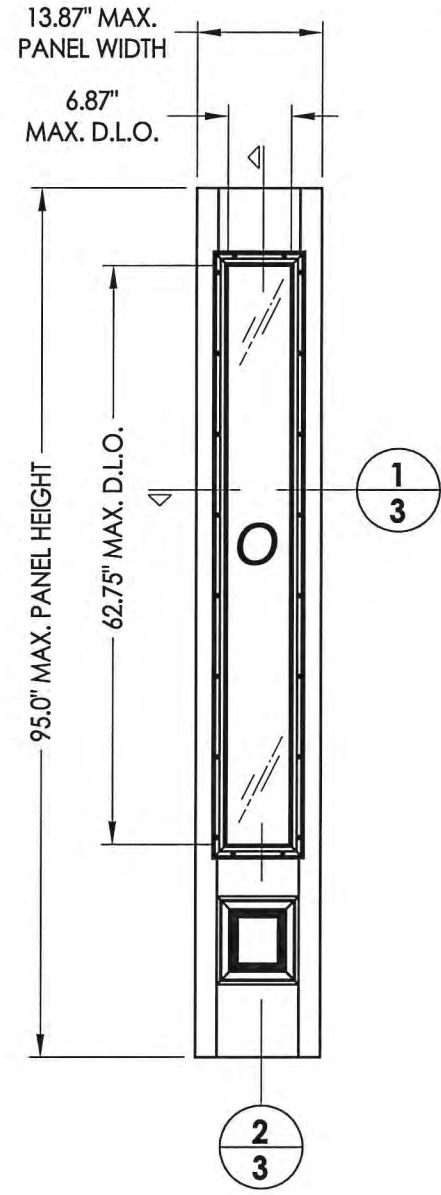
Documents Prepared By:
Lyndon F. Schmidt
P.E. No. 43409
RW BUILDING CONSULTANTS, INC.
P.O. Box 230, Valrico, FL 33595
Phone No.: 813.659.9197
FBPE C.A. No. 9813

PRODUCT: TRINITY GLASS INT'L
PART OR ASSEMBLY: DOOR PANEL DETAILS

| NO. | DATE | REVISIONS |
|-----|----------|------------------------------|
| 1 | 03/02/15 | UPDATE TO 5TH ED. (2014) FBC |
| | | JK BY |

DATE: 2/27/12
SCALE: N.T.S.
DWG. BY: JK
CHK. BY: LFS
DRAWING NO.: FL-15255.19
SHEET 2 OF 11

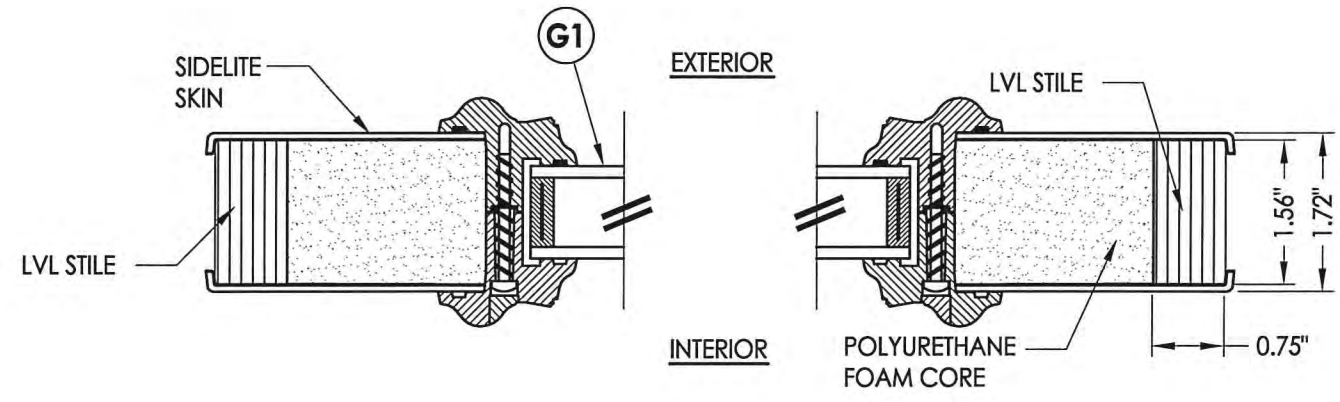
R:\Clients\Trinity PERMANENT\Florida Product Approvals\FL-15255\C - Drawings\FL-15255\17-24.dwg, 3.15



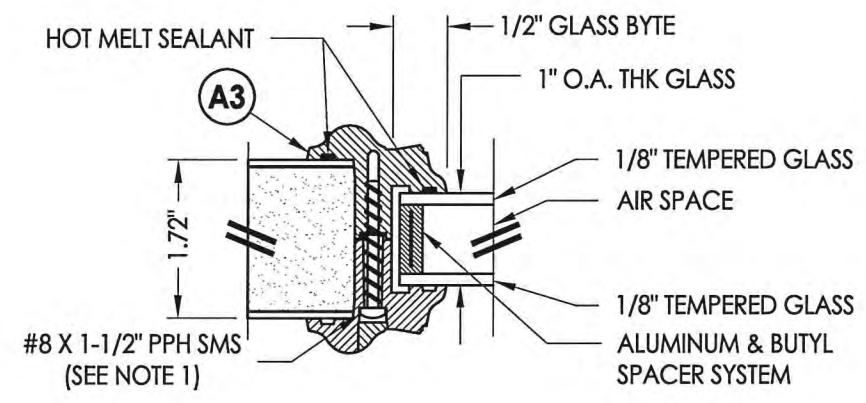
41 FIBERGLASS SIDELITE
"NON-IMPACT"

NOTE:
1. Spacing for life frame screw is as follows:
Top and Bottom: 2" from each corner (2 total)
Sides: 2" from each corner and equally spaced thereafter (8 total)

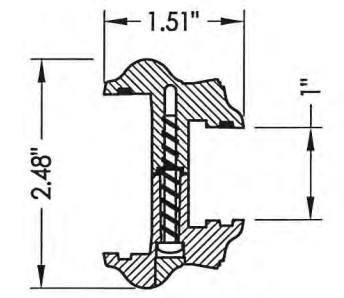
DOOR SKIN: 0.079" MIN. THK. FIBERGLASS
CORE MATERIAL: POLYURETHANE FOAM



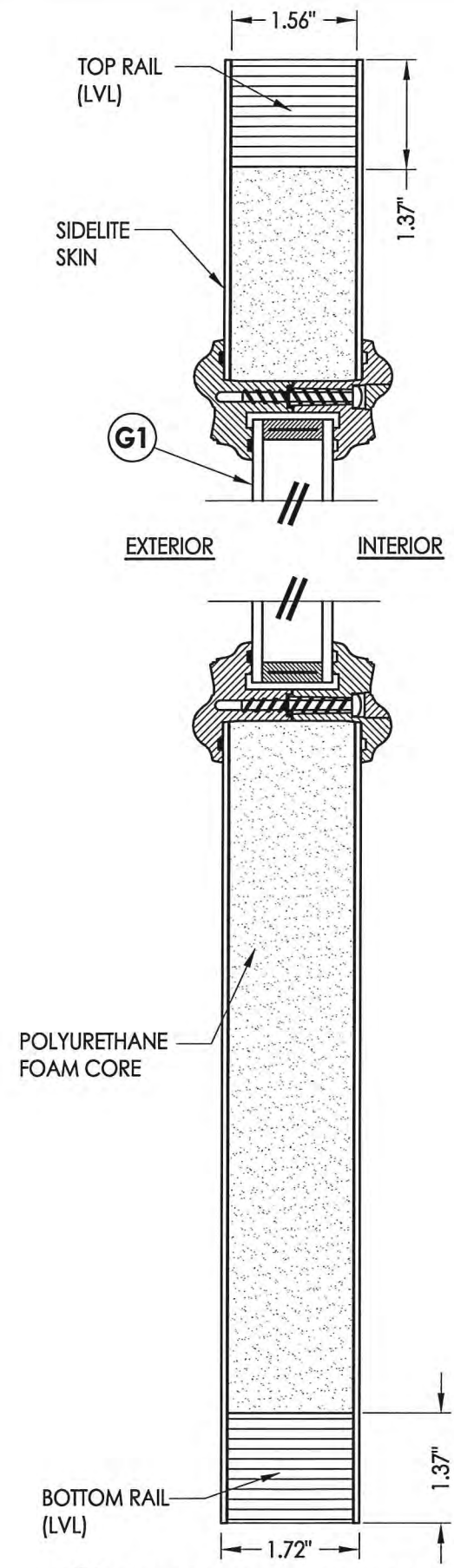
1 HORIZONTAL CROSS SECTION



G1 GLAZING DETAIL
Lip Lite Frame



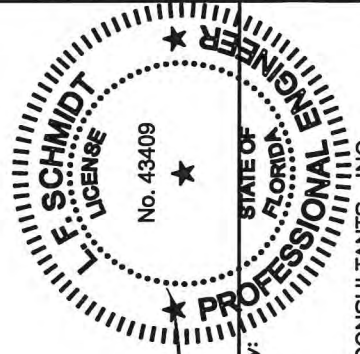
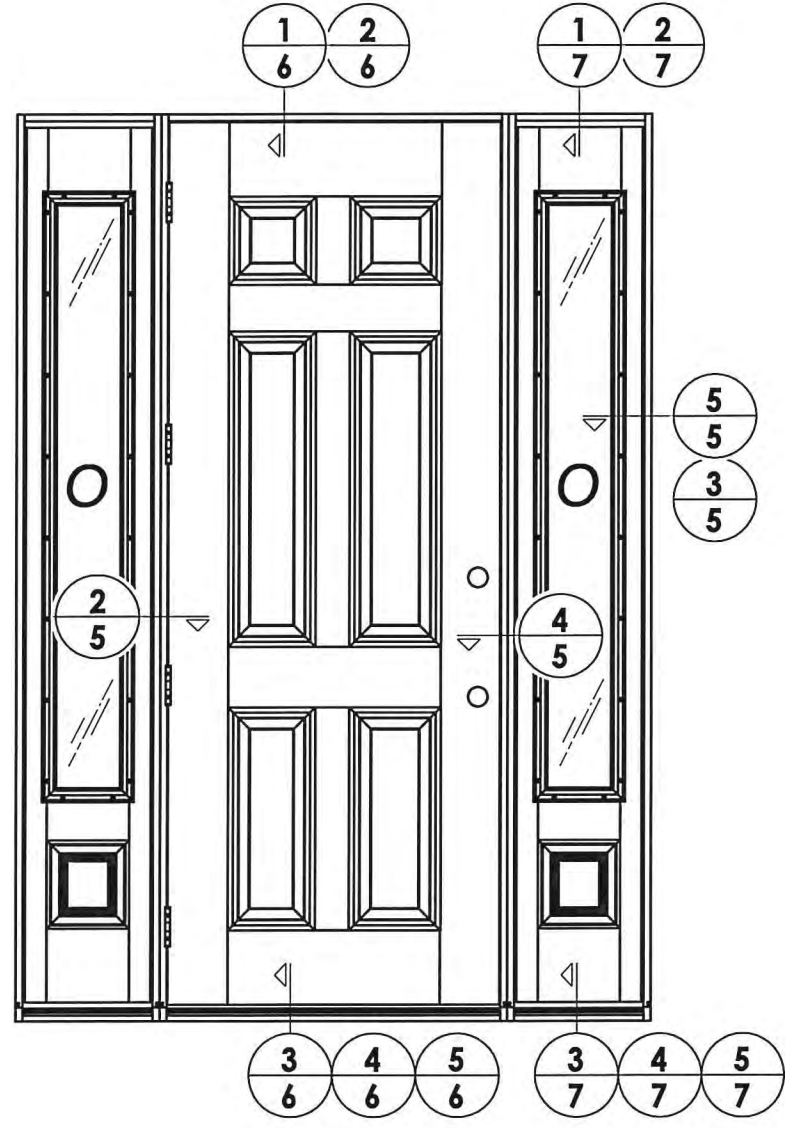
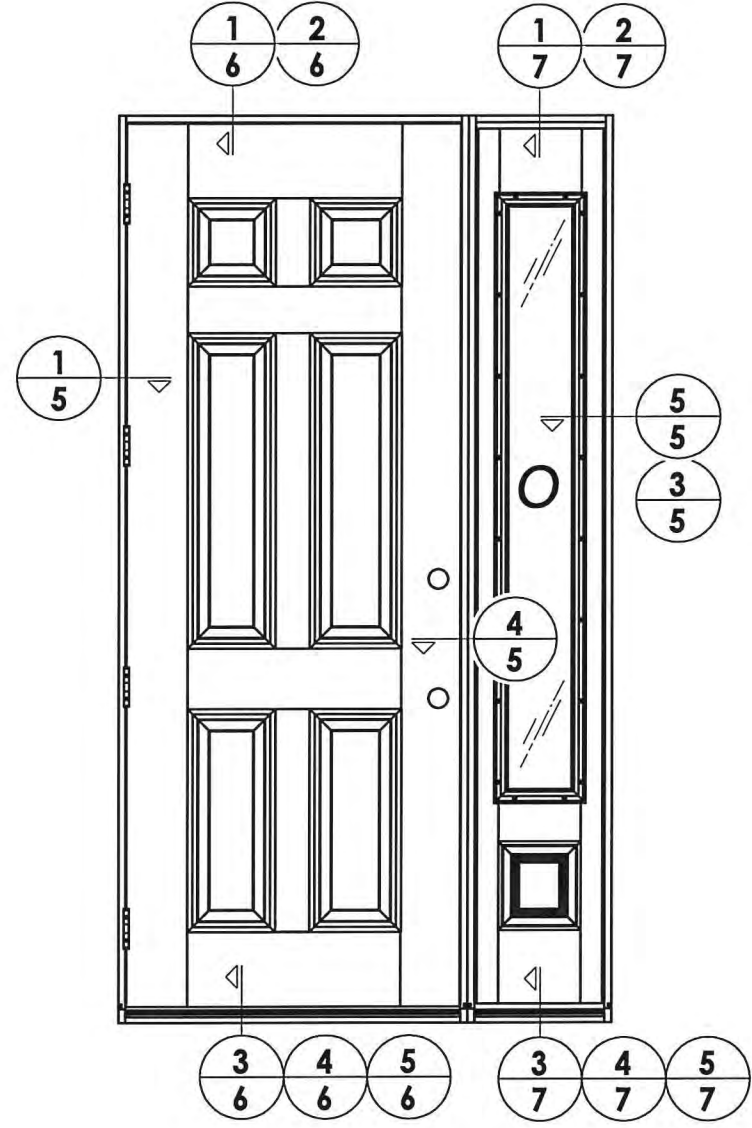
A3 LIP LITE FRAME
ABS or PC/ASA



2 VERTICAL CROSS SECTION

Documents Prepared By:
 Lyndon F. Schmidt
 P.E. No. 43409
 R.W. BUILDING CONSULTANTS, INC.
 P.O. Box 230, Valrico, FL 33595
 Phone No.: 813.659.9197
 FBPE C.A. No. 9813

| | | | |
|--------------------------|----------|--|------------------------------|
| PRODUCT: | | TRINITY GLASS INT'L | |
| PART OR ASSEMBLY: | | SIDELITE PANEL DETAILS AND GLAZING DETAILS | |
| NO. | DATE | BY | REVISIONS |
| 1 | 03/02/15 | JK | UPDATE TO 5TH ED. (2014) FBC |
| DATE: 2/27/12 | | | |
| SCALE: N.T.S. | | | |
| DWG. BY: JK | | | |
| CHK. BY: LFS | | | |
| DRAWING NO.: FL-15255.19 | | | |
| SHEET 3 OF 11 | | | |



LFS
S.I.S

Documents Prepared By:
Lyndon F. Schmidt
P.E. No. 43409

RW BUILDING CONSULTANTS, INC.
P.O. Box 230, Valrico, FL 33595
Phone No.: 813.659.9197
FBPE C.A. No. 9813

PRODUCT: TRINITY GLASS INT'L

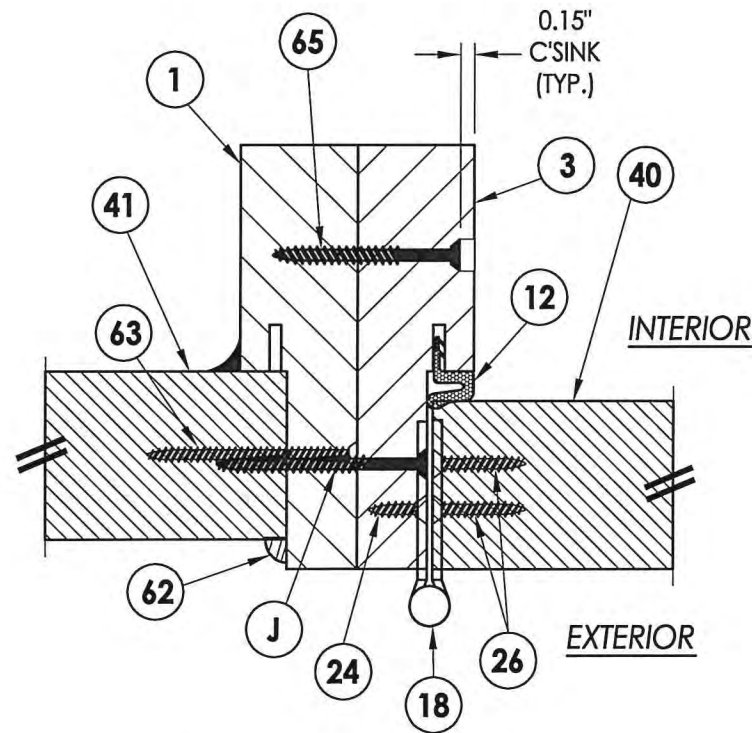
PART OR ASSEMBLY: ELEVATIONS

| NO. | DATE | DESCRIPTION | BY |
|-----|----------|------------------------------|----|
| 1 | 03/02/15 | UPDATE TO 5TH ED. (2014) FBC | JK |

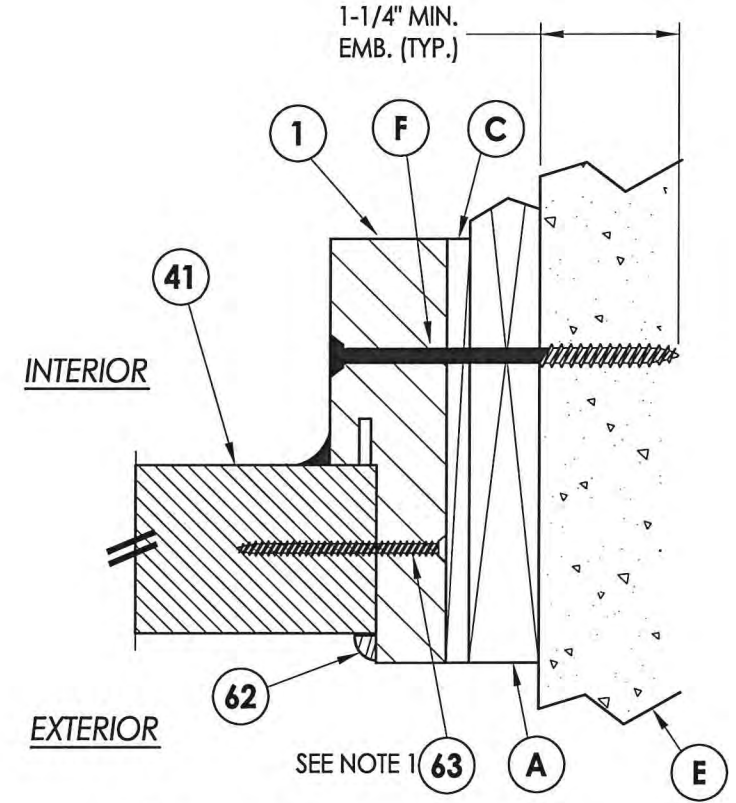
REVISIONS

DATE: 2/27/12
SCALE: N.T.S.
DWG. BY: JK
CHK. BY: LFS
DRAWING NO.: FL-15255.19
SHEET 4 OF 11

R:\Clients\Trinity PERMANENT\Florida Product Approvals\FL-15255\C - Drawings\FL-15255\FL-15255.17-24.dwg, 5.15

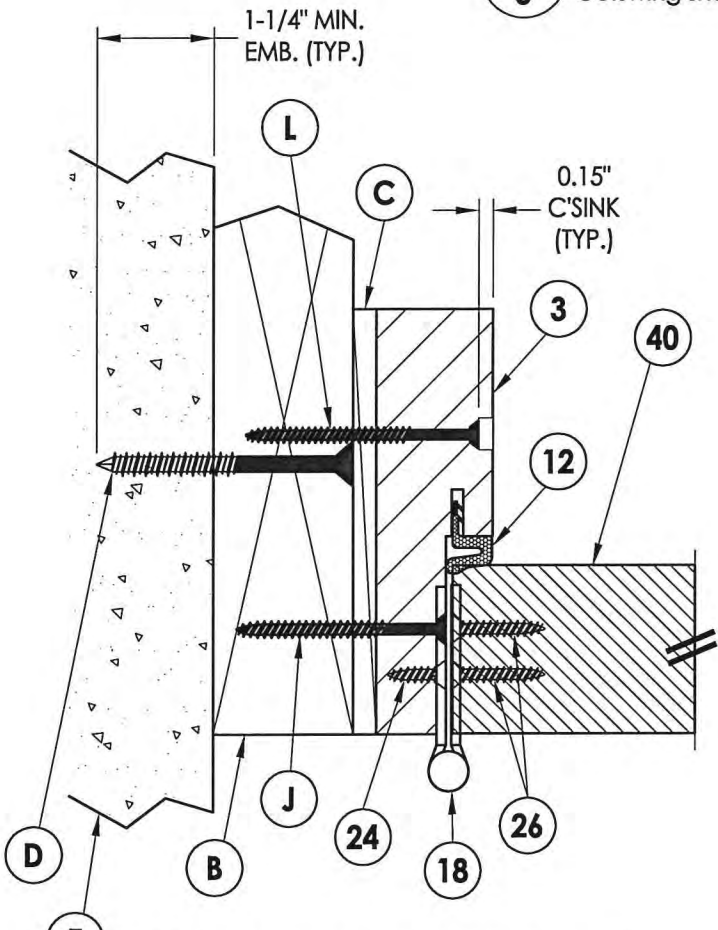


2 HORIZONTAL CROSS SECTION
5 Outswing shown - Inswing also approved

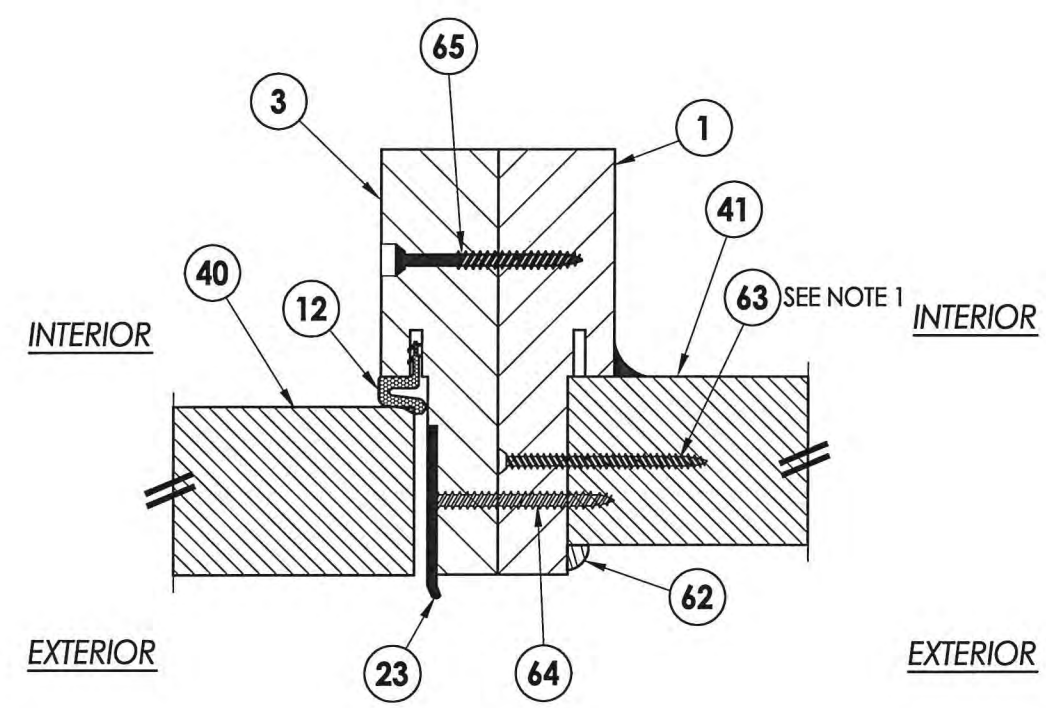


3 HORIZONTAL CROSS SECTION
5 Shown w/1X sub-buck

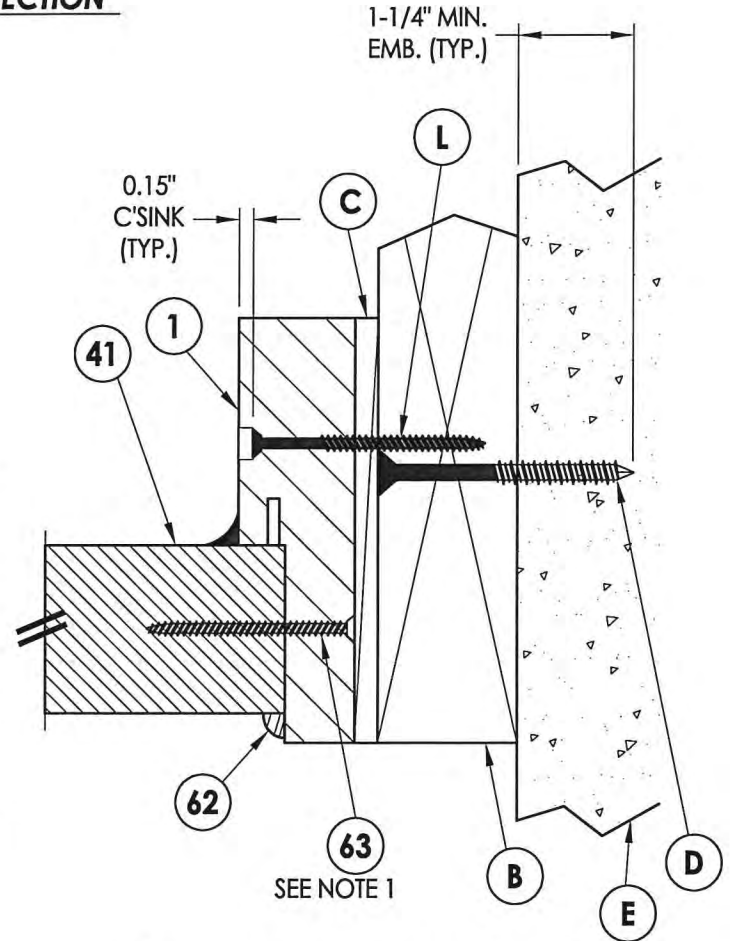
NOTE:
 1. Sidelite screw spacing: 6" from each end 6 more screws equally spaced (8 screws total per jamb).



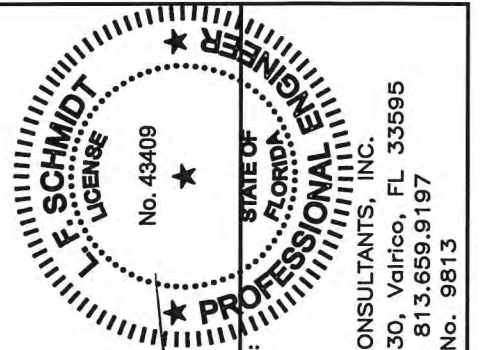
1 HORIZONTAL CROSS SECTION
5 Outswing shown - Inswing also approved



4 HORIZONTAL CROSS SECTION
5 Outswing shown - Inswing also approved

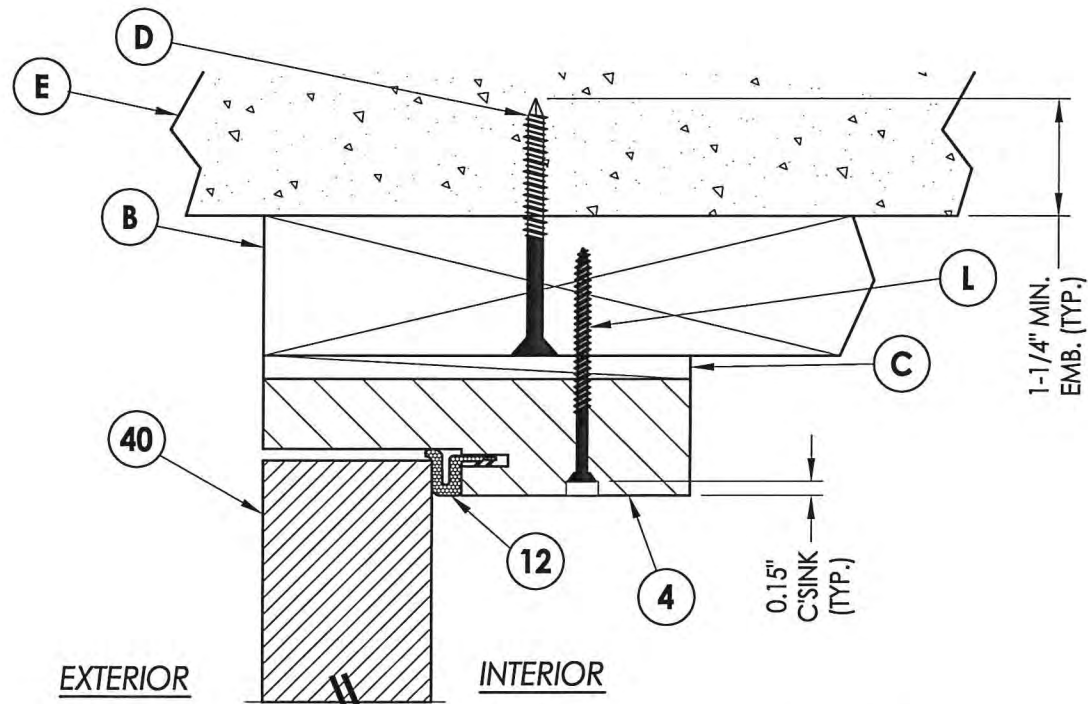


5 HORIZONTAL CROSS SECTION
5 Outswing shown - Inswing also approved

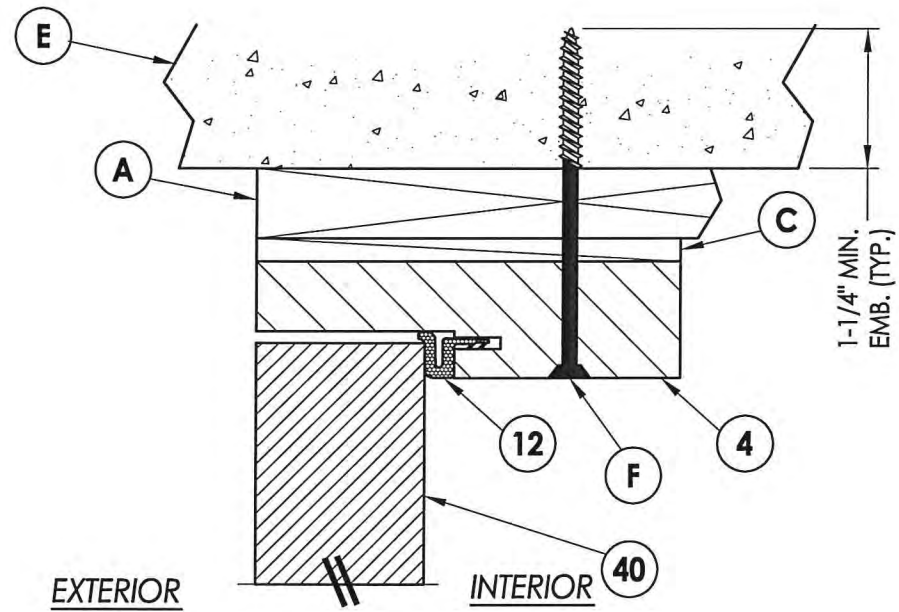


Documents Prepared By:
 Lyndon F. Schmidt
 P.E. No. 43409
 R.W. BUILDING CONSULTANTS, INC.
 P.O. Box 230, Vairico, FL 33595
 Phone No.: 813.659.9197
 FBPE C.A. No. 9813

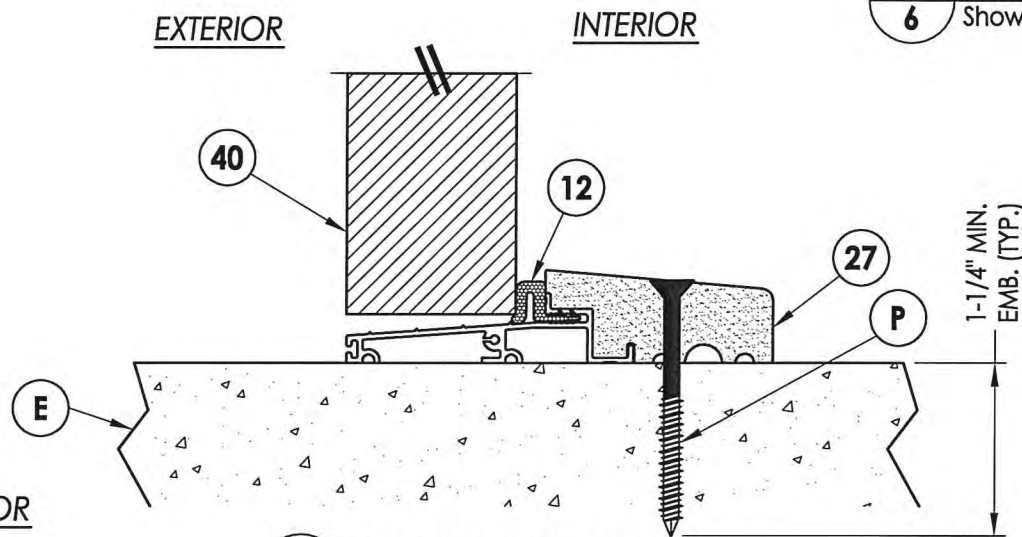
| | | |
|-------------------|---------------------------|----|
| PRODUCT: | TRINITY GLASS INT'L | |
| PART OR ASSEMBLY: | HORIZONTAL CROSS SECTIONS | |
| DATE: | 2/27/12 | |
| SCALE: | N.T.S. | |
| DWG. BY: | JK | |
| CHK. BY: | LFS | |
| DRAWING NO.: | FL-15255.19 | |
| SHEET | 5 OF 11 | |
| NO. | DATE | BY |
| 1 | 03/02/15 | JK |
| | | BY |
| REVISIONS | | |



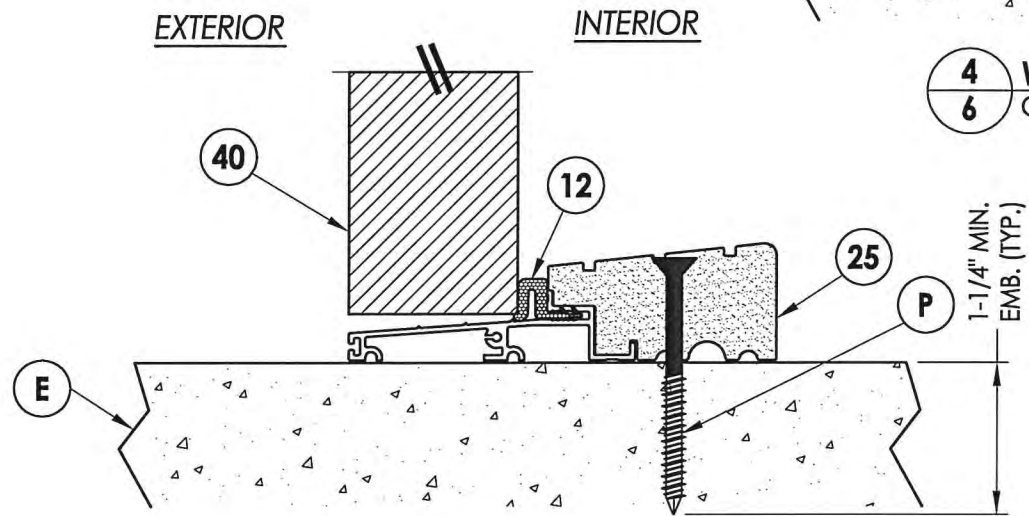
1 VERTICAL CROSS SECTION
6 Outswing shown
Inswing also approved



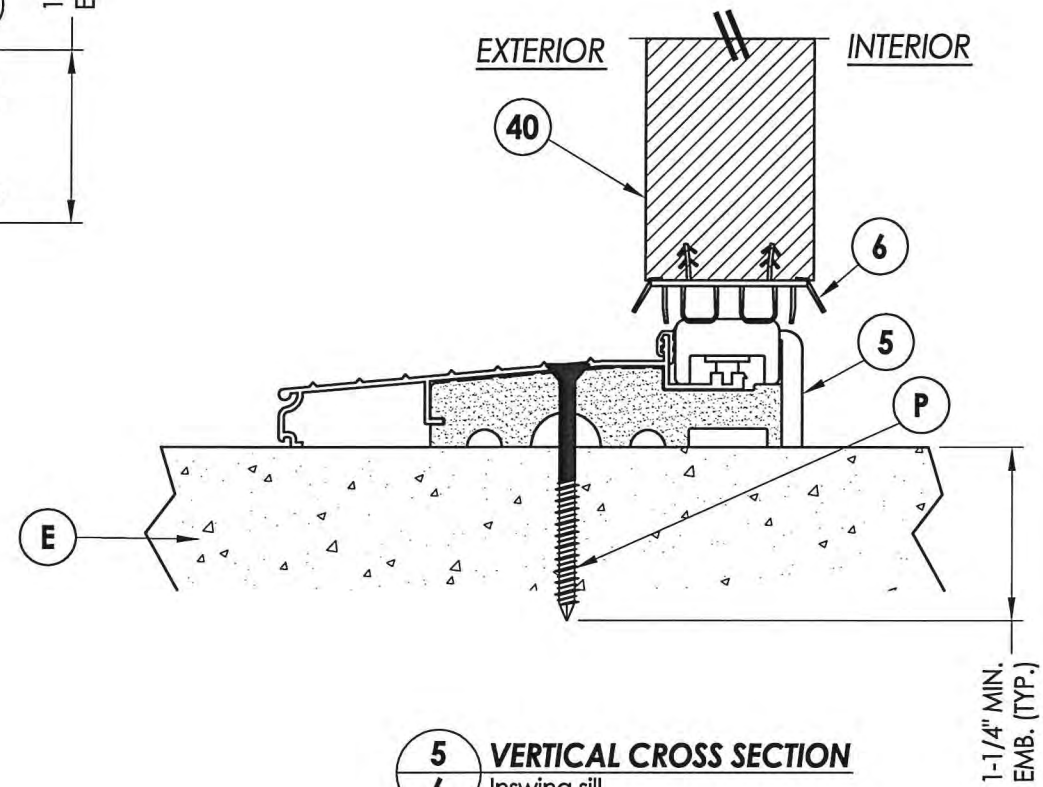
2 VERTICAL CROSS SECTION
6 Shown w/1x sub-buck



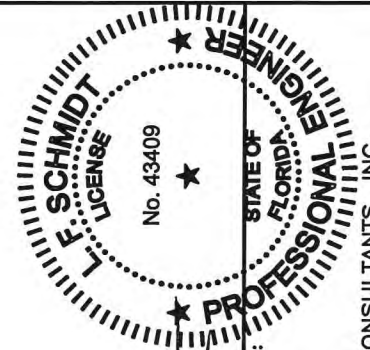
4 VERTICAL CROSS SECTION
6 Outswing sill



3 VERTICAL CROSS SECTION
6 Outswing sill - high dam



5 VERTICAL CROSS SECTION
6 Inswing sill



Documents Prepared By:
Lyndon F. Schmidt
P.E. No. 43409

RW BUILDING CONSULTANTS, INC.
P.O. Box 230, Valrico, FL 33595
Phone No.: 813.659.9197
FBPE C.A. No. 9813

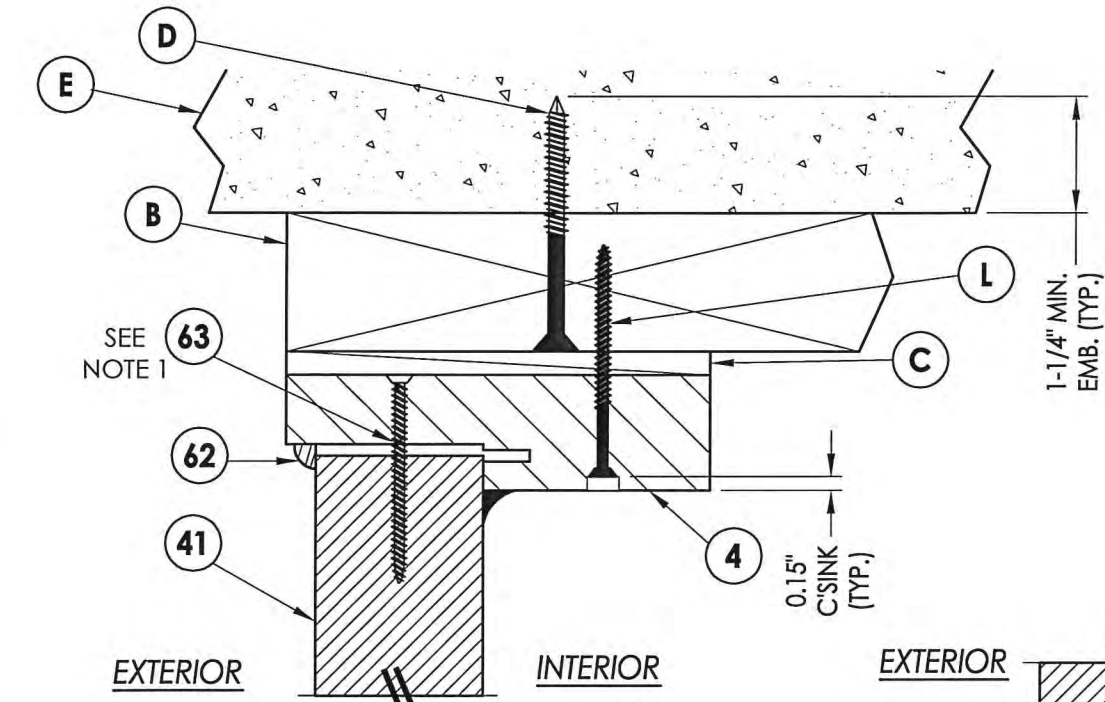
PRODUCT: TRINITY GLASS INT'L

PART OR ASSEMBLY:
VERTICAL CROSS SECTIONS

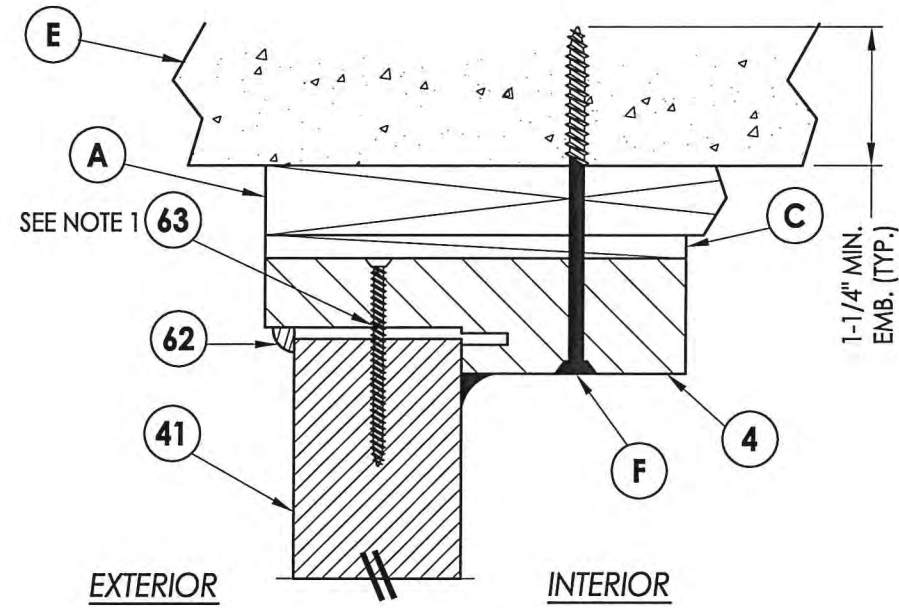
| NO. | DATE | BY |
|-----|----------|----|
| 1 | 03/02/15 | JK |

DATE: 2/27/12
SCALE: N.T.S.
DWG. BY: JK
CHK. BY: LFS
DRAWING NO.: FL-15255.19

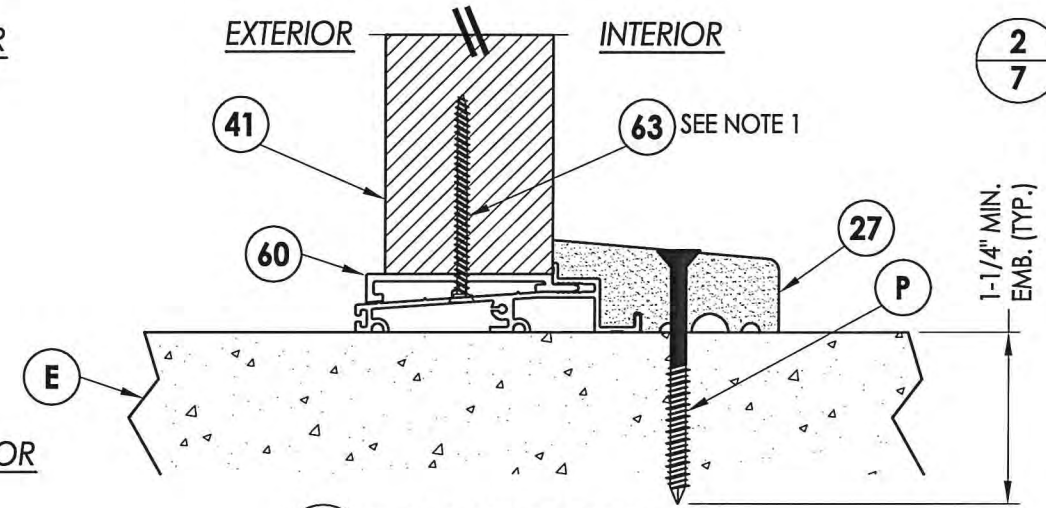
SHEET 6 OF 11



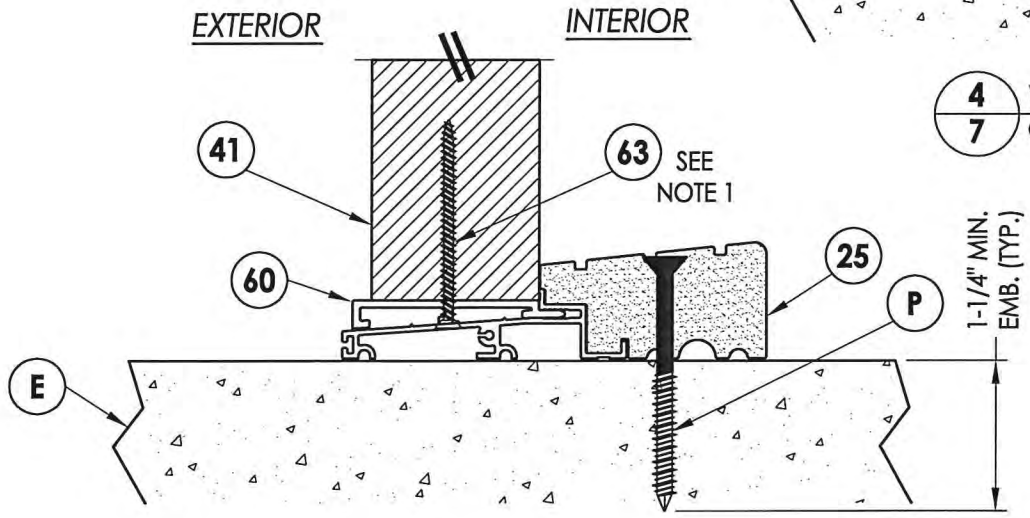
1
7 VERTICAL CROSS SECTION



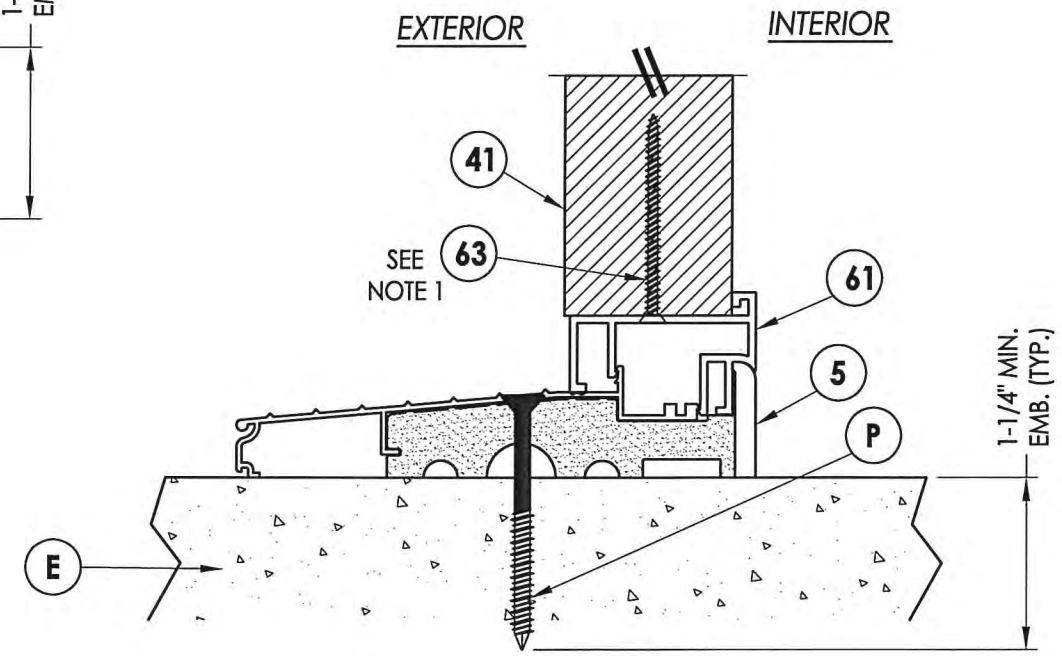
2
7 VERTICAL CROSS SECTION
Shown w/1X sub-buck



4
7 VERTICAL CROSS SECTION
Outswing sill

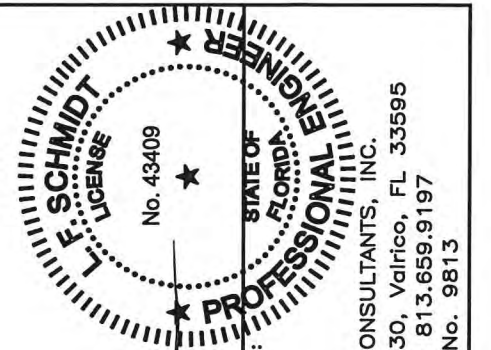


3
7 VERTICAL CROSS SECTION
Outswing sill - high dam



5
7 VERTICAL CROSS SECTION
Inswing sill

NOTE:
1. Screws thru head and sill jamb located 3\"/>

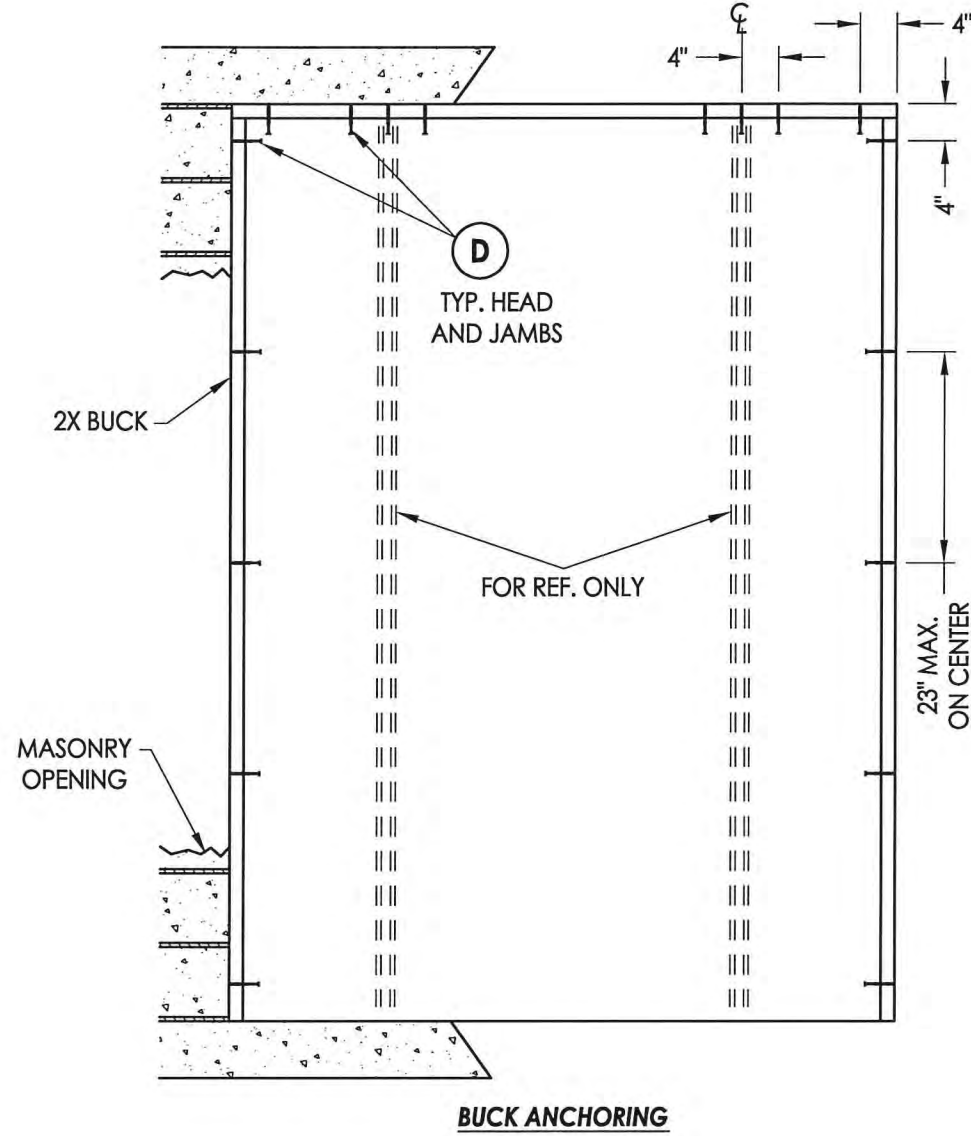
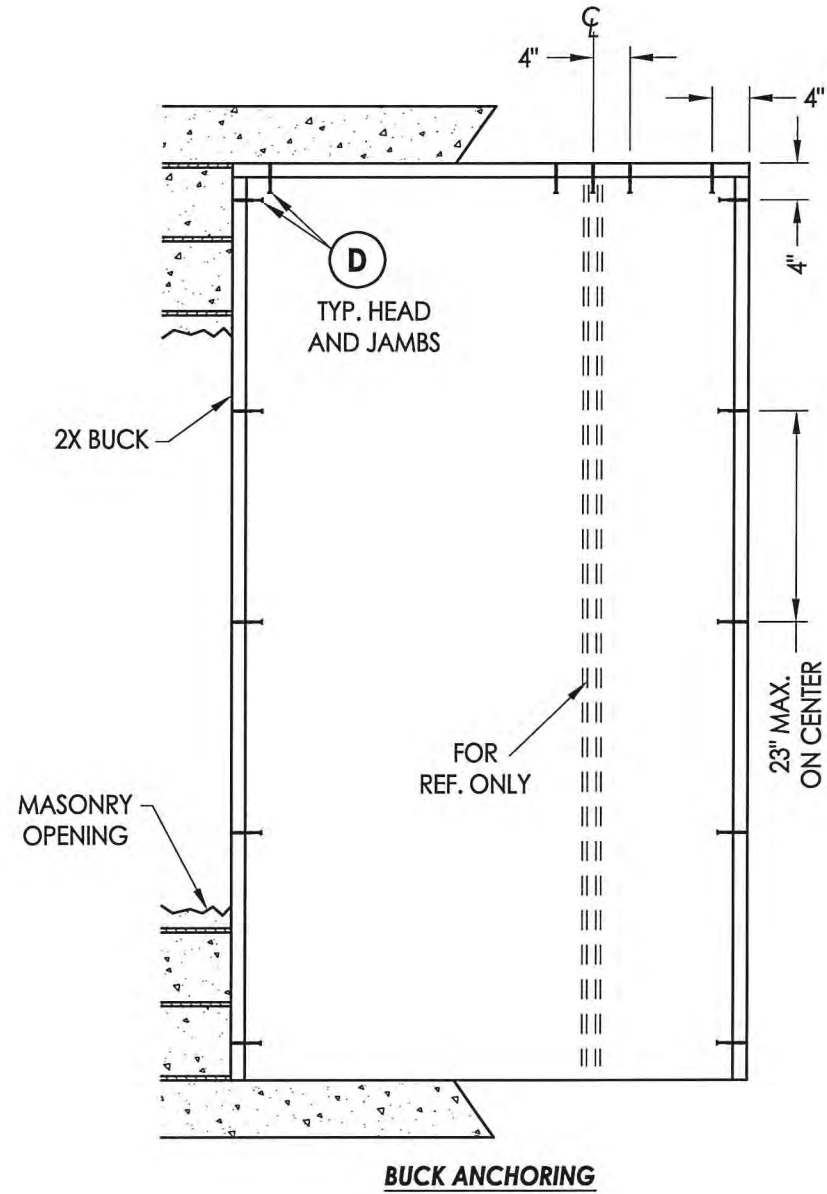


Documents Prepared By:
Lyndon F. Schmidt
P.E. No. 43409
RW BUILDING CONSULTANTS, INC.
P.O. Box 230, Valrico, FL 33595
Phone No.: 813.659.9197
FBPE C.A. No. 9813

| | |
|-------------------|-------------------------|
| PRODUCT: | TRINITY GLASS INT'L |
| PART OR ASSEMBLY: | VERTICAL CROSS SECTIONS |

| NO. | DATE | REVISIONS | JK | BY |
|-----|----------|------------------------------|----|----|
| 1 | 03/02/15 | UPDATE TO 5TH ED. (2014) FBC | | |

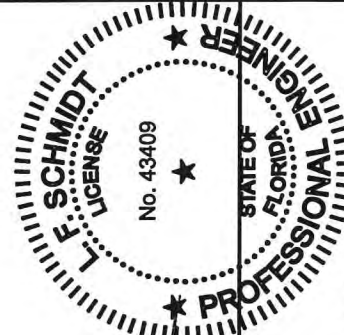
| | |
|--------------|-------------|
| DATE: | 2/27/12 |
| SCALE: | N.T.S. |
| DWG. BY: | JK |
| CHK. BY: | LFS |
| DRAWING NO.: | FL-15255.19 |
| SHEET | 7 OF 11 |



CONCRETE ANCHOR NOTES:

1. Concrete anchor locations at the corners may be adjusted to maintain the min. edge distance to mortar joints.
2. Concrete anchor locations noted as "MAX. ON CENTER" must be adjusted to maintain the min. edge distance to mortar joints, additional concrete anchors may be required to ensure the "MAX. ON CENTER" dimension are not exceeded.
3. Concrete anchor table:

| ANCHOR TYPE | ANCHOR SIZE | MIN. EMBEDMENT | MIN. CLEARANCE TO MASONRY EDGE | MIN. CLEARANCE TO ADJACENT ANCHOR |
|----------------|-------------|----------------|--------------------------------|-----------------------------------|
| ITW TAPCON® | 1/4" | 1-1/4" | 2" | 4" |
| ELCO ULTRACON® | 1/4" | 1-1/4" | 1" | 4" |

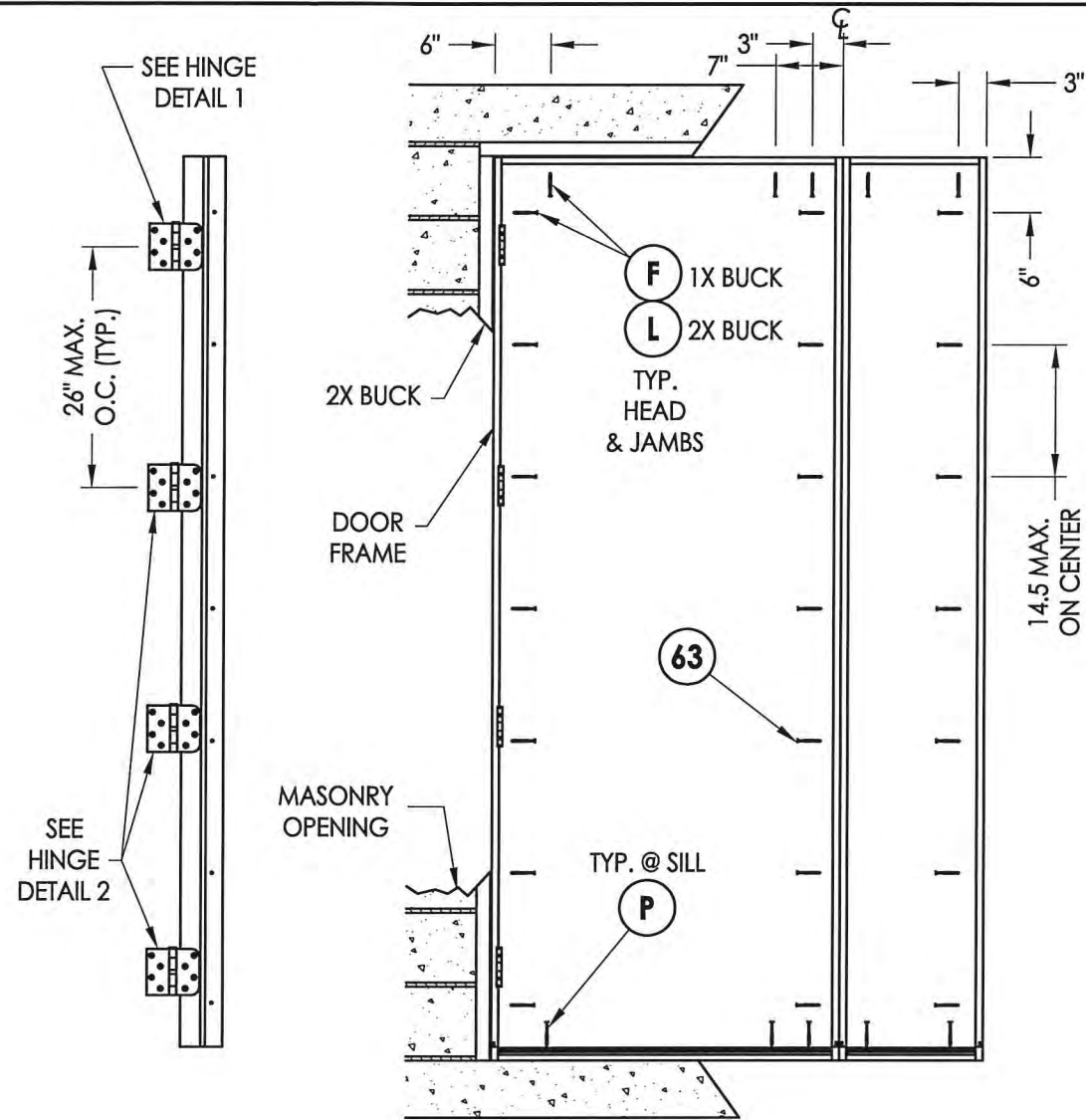


Documents Prepared By:
 Lyndon F. Schmidt
 P.E. No. 43409

R.W. BUILDING CONSULTANTS, INC.
 P.O. Box 230, Valrico, FL 33595
 Phone No.: 813.659.9197
 FBPE C.A. No. 9813

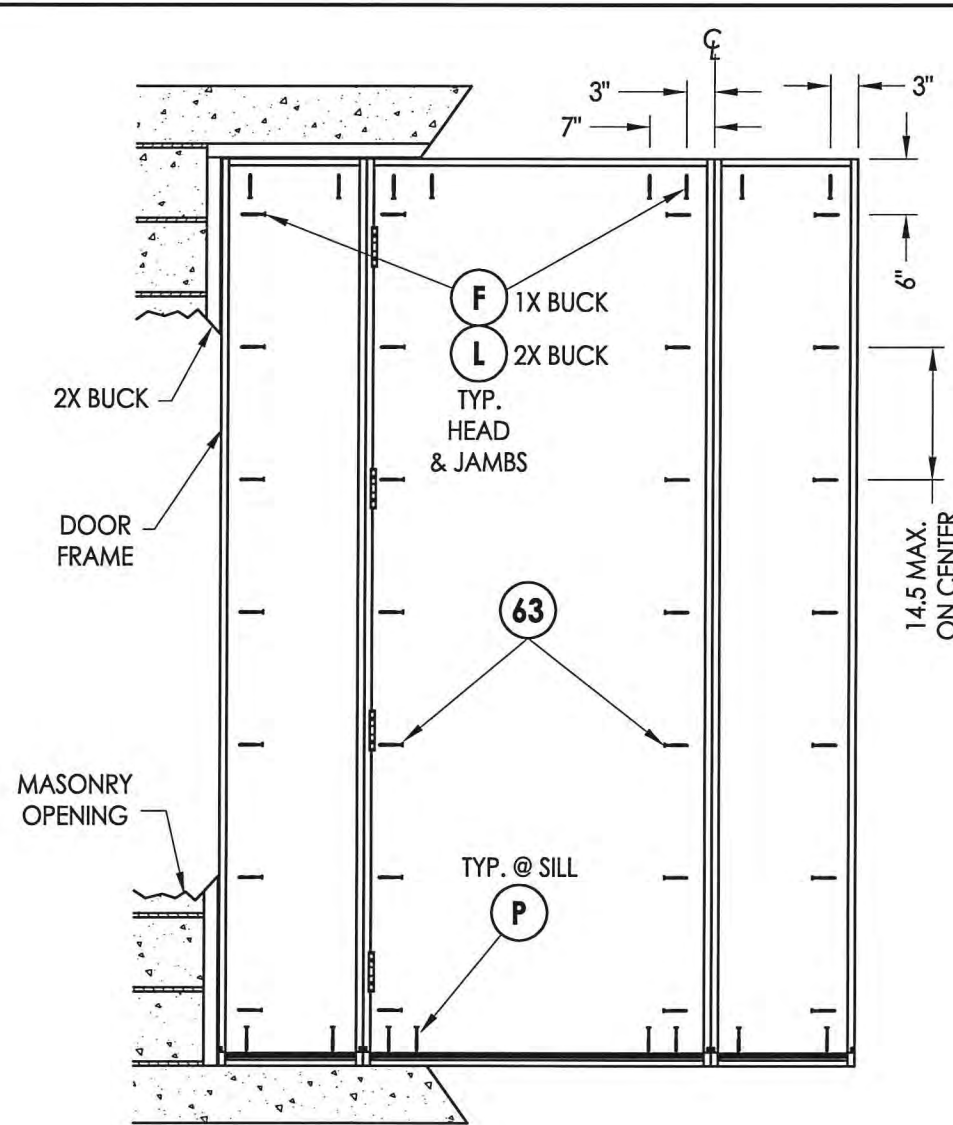
| | |
|-------------------|---------------------|
| PRODUCT: | TRINITY GLASS INT'L |
| PART OR ASSEMBLY: | BUCK ANCHORING |
| DATE: | 2/27/12 |
| SCALE: | N.T.S. |
| DWG. BY: | JK |
| CHK. BY: | LFS |
| DRAWING NO.: | FL-15255.19 |
| SHEET | 8 OF 11 |

| NO. | DATE | BY |
|-----|----------|----|
| 1 | 03/02/15 | JK |
| | | |
| | | |
| | | |



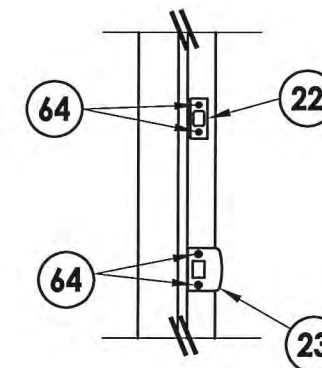
HINGE JAMB

FRAME ANCHORING
Masonry construction



FRAME ANCHORING
Masonry construction

STRIKE JAMB



STRIKE PLATE DETAIL

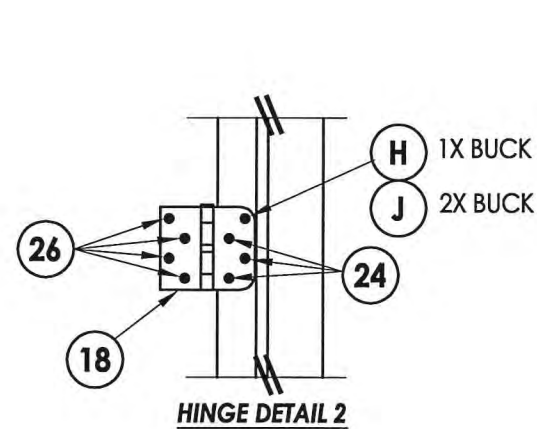
CONCRETE ANCHOR NOTES:

1. Concrete anchor locations at the corners may be adjusted to maintain the min. edge distance to mortar joints.
2. Concrete anchor locations noted as "MAX. ON CENTER" must be adjusted to maintain the min. edge distance to mortar joints, additional concrete anchors may be required to ensure the "MAX. ON CENTER" dimension are not exceeded.
3. Concrete anchor table:

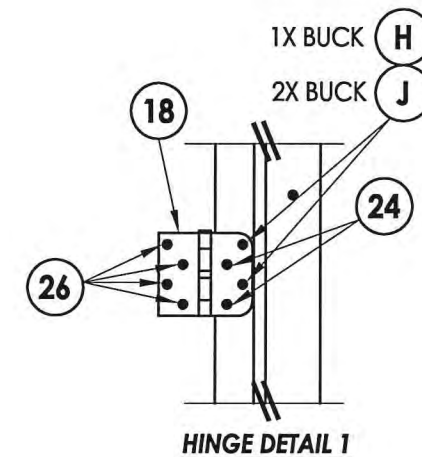
| ANCHOR TYPE | ANCHOR SIZE | MIN. EMBEDMENT | MIN. CLEARANCE TO MASONRY EDGE | MIN. CLEARANCE TO ADJACENT ANCHOR |
|----------------|-------------|----------------|--------------------------------|-----------------------------------|
| ITW TAPCON® | 1/4" | 1-1/4" | 2" | 4" |
| ELCO ULTRACON® | 1/4" | 1-1/4" | 1" | 4" |

WOOD SCREW INSTALLATION NOTES:

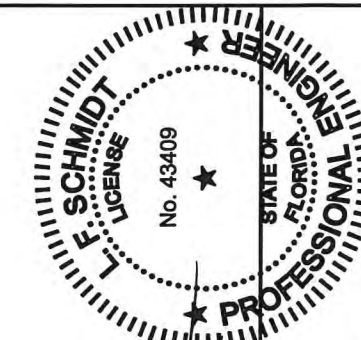
1. Maintain a minimum 5/8" edge distance, 1" end distance, & 1" o.c. spacing of wood screws to prevent the splitting of wood.



HINGE DETAIL 2



HINGE DETAIL 1

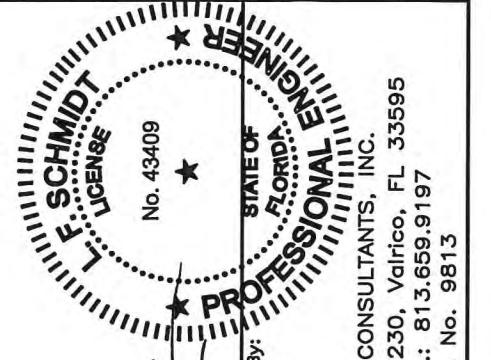


Documents Prepared By:
Lyndon F. Schmidt
P.E. No. 43409

RW BUILDING CONSULTANTS, INC.
P.O. Box 230, Valrico, FL 33595
Phone No.: 813.659.9197
FBPE C.A. No. 9813

| | |
|-------------------|---------------------|
| PRODUCT: | TRINITY GLASS INT'L |
| PART OR ASSEMBLY: | FRAME ANCHORING |
| DATE: | 2/27/12 |
| SCALE: | N.T.S. |
| DWG. BY: | JK |
| CHK. BY: | LFS |
| DRAWING NO.: | FL-15255.19 |
| SHEET | 9 OF 11 |

| BILL OF MATERIALS | | |
|-------------------|--|--------------|
| ITEM # | DESCRIPTION | MATERIAL |
| A | 1X BUCK SG >= 0.55 | WOOD |
| B | 2X BUCK SG >= 0.55 | WOOD |
| C | 1/4" MAX. SHIM SPACE | - |
| D | 1/4" X 2-3/4" PFH ELCO OR ITW CONCRETE SCREW | STEEL |
| E | MASONRY - 3,000 PSI MIN. CONCRETE CONFORMING TO ACI 301 OR HOLLOW BLOCK CONFORMING TO ASTM C90 | CONCRETE |
| F | 1/4" X 3-3/4" ITW PFH CONCRETE SCREW | STEEL |
| H | 1/4" X 3-1/4" ITW PFH CONCRETE SCREW | STEEL |
| J | #9 X 2-1/4" PFH WS | STEEL |
| L | #8 X 2-1/2" PFH WS | STEEL |
| M | 3/16" X 3-1/4" ITW PFH CONCRETE SCREW | STEEL |
| P | 1/4" X 2-3/4" ITW PFH CONCRETE SCREW | STEEL |
| 1 | STRIKE JAMB - FINGER-JOINT PINE - SG >= 0.42 | WOOD |
| 3 | HINGE JAMB - FINGER-JOINT PINE - SG >= 0.42 | WOOD |
| 4 | HEAD - FINGER-JOINT PINE - SG >= 0.42 | WOOD |
| 5 | INSWING THRESHOLD ALUMINUM W/ COMPOSITE SUBSTRATE | ALUMINUM |
| 6 | DOOR BOTTOM SWEEP | PVC |
| 8 | #6 X 1-1/4" PFH DRYWALL SCREW | STEEL |
| 12 | WEATHER STRIP QEBD650 Q-LON | - |
| 18 | 3.983" X 4.0" HINGE MIN 0.098" THICK | STEEL |
| 19 | SILLKEY | PC/ASA |
| 22 | DEADBOLT STRIKE PLATE | STEEL |
| 23 | LATCH STRIKE PLATE | STEEL |
| 24 | #9 X 5/8" PFH WS | STEEL |
| 25 | OUTSWING HIGH-DAM THRESHOLD ALUMINUM W/ COMPOSITE SUBSTRATE | ALUM./ COMP. |
| 26 | #9 X 1.0" PFH WS | STEEL |
| 27 | OUTSWING THRESHOLD ALUMINUM W/ COMPOSITE SUBSTRATE | ALUM./ COMP. |
| 40 | DOOR PANEL - SEE DOOR PANEL DETAIL SHEET FOR CONSTRUCTION DETAILS | - |
| 41 | SIDELITE PANEL - SEE SIDELITE PANEL DETAIL SHEET FOR CONSTRUCTION DETAILS | - |
| 60 | SIDELITE SPACER - OUTSWING | PVC |
| 61 | SIDELITE SPACER - INSWING | PVC |
| 62 | QUARTER ROUND | WOOD |
| 63 | #8 X 2-1/4" PFH WOOD SCREW | STEEL |
| 64 | #8 X 2" PFH WOOD SCREW | STEEL |



Documents Prepared By:
Lyndon F. Schmidt
P.E. No. 43409

RW
BUILDING CONSULTANTS, INC.
P.O. Box 230, Valrico, FL 33595
Phone No.: 813.659.9197
FBPE C.A. No. 9813

PRODUCT: TRINITY GLASS INT'L
PART OR ASSEMBLY: BILL OF MATERIALS

| NO. | DATE | BY | REVISIONS |
|-----|----------|----|------------------------------|
| 1 | 03/02/15 | JK | UPDATE TO 5TH ED. (2014) FBC |

DATE: 2/27/12
SCALE: N.T.S.
DWG. BY: JK
CHK. BY: LFS
DRAWING NO.: FL-15255.19
SHEET 11 OF 11